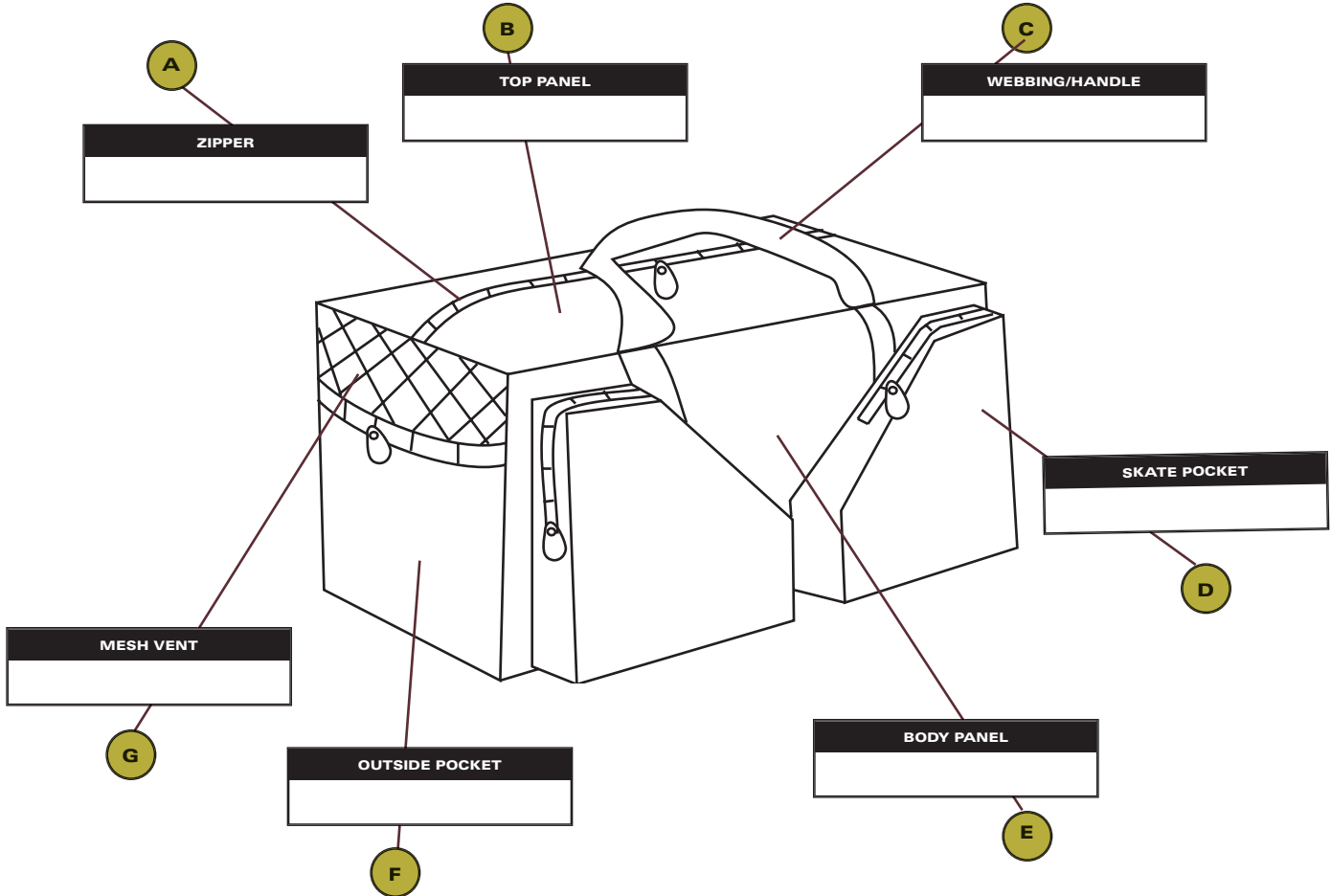


FOR: \_\_\_\_\_

DATE: \_\_\_\_\_



## DIRECTIONS

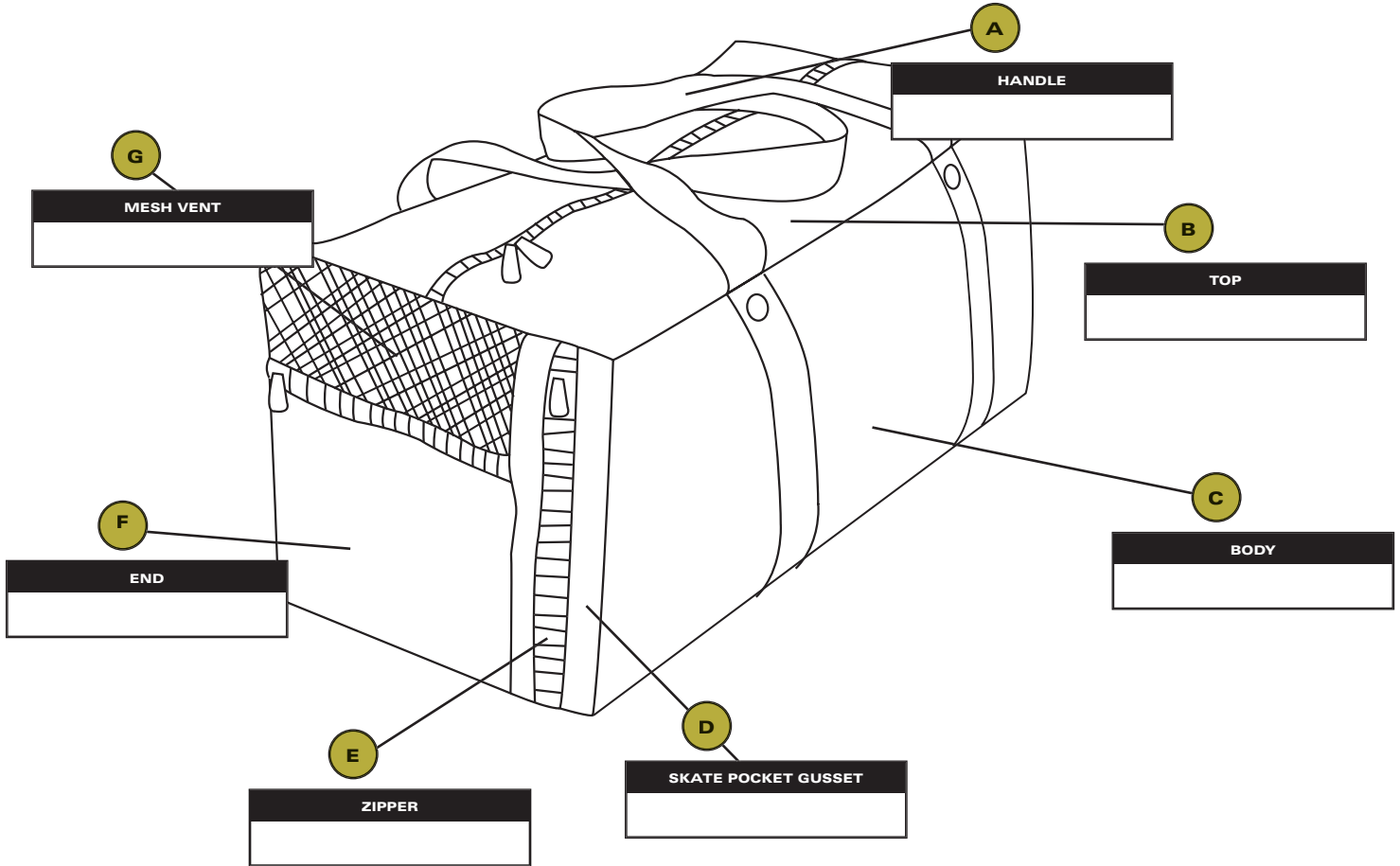
Fill in the color of your choice (using the chart at right) for each of the parts or panels of the bag specified above. Fax this sheet, along with your order form to 320.654.1529.

## AVAILABLE COLORS

FABRIC		WEBBING	
BURGUNDY/MAROON	VEGAS GOLD	SILVER	WHITE
CARDINAL RED	PINK	SPORT GOLD	BURGUNDY/MAROON
KELLY GREEN	SPORT GOLD	ORANGE	ROYAL BLUE
WHITE	ROYAL BLUE	KELLY GREEN	PURPLE
ORANGE	FOREST GREEN	BLACK	CARDINAL RED
NAVY	BLACK	BROWN	VEGAS GOLD
PURPLE	DARK BROWN	RED	FOREST GREEN
RED		PINK	COLUMBIA BLUE
		NAVY	
ZIPPER		MESH VENTS	
BLACK	WHITE	BLACK	WHITE

FOR: \_\_\_\_\_

DATE: \_\_\_\_\_



## DIRECTIONS

Fill in the color of your choice (using the chart at right) for each of the parts or panels of the bag specified above. Fax this sheet, along with your order form to 320.654.1529.

## AVAILABLE COLORS

FABRIC		WEBBING	
BURGUNDY/MAROON	VEGAS GOLD	SILVER	WHITE
CARDINAL RED	PINK	SPORT GOLD	BURGUNDY/MAROON
KELLY GREEN	SPORT GOLD	ORANGE	ROYAL BLUE
WHITE	ROYAL BLUE	KELLY GREEN	PURPLE
ORANGE	FOREST GREEN	BLACK	CARDINAL RED
NAVY	BLACK	BROWN	VEGAS GOLD
PURPLE	DARK BROWN	RED	FOREST GREEN
RED		PINK	COLUMBIA BLUE
		NAVY	
ZIPPER		MESH VENTS	
BLACK	WHITE	BLACK	WHITE